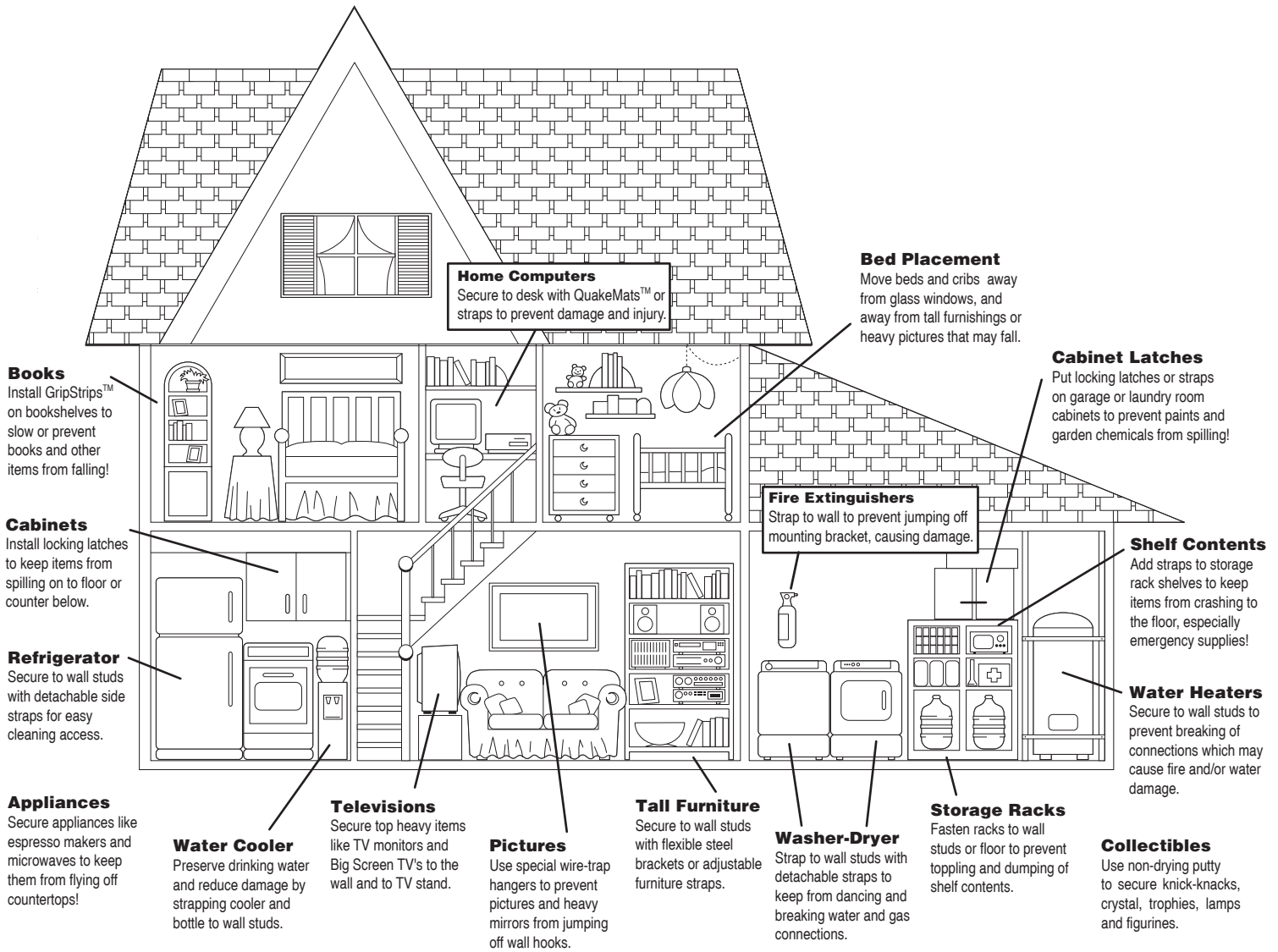


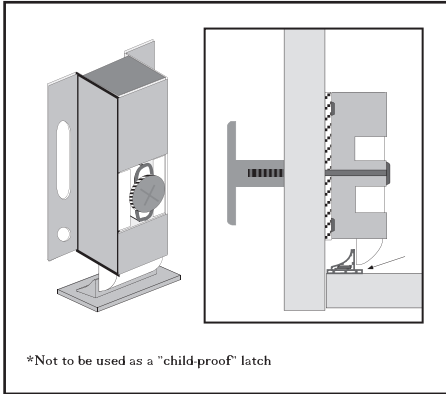
Home Hazard Hunt

what to do before the next one strikes!



Earthquake Safety Fastening Guide

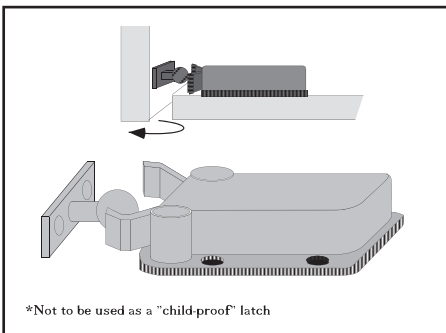
Kitchen & Laundry Room



Cabinet Latches

This style latch requires a front knob on the face of the cabinet. Pulling the knob disengages the locking mechanism for access into the cabinet.

Kit contains: (1) latch w/ basic chrome knob, screws, and installation instructions.
CLK01



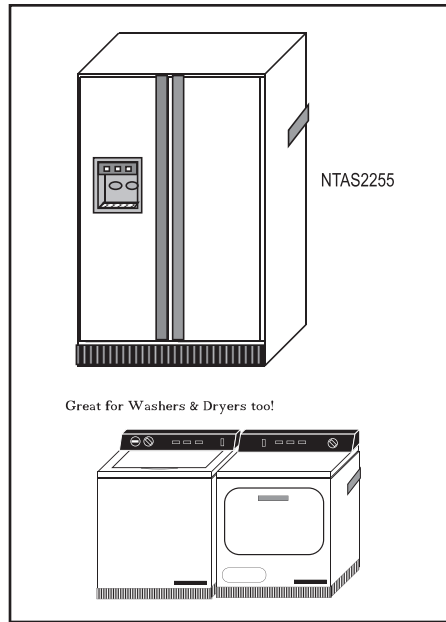
Push-Pull Cabinet Latches

This style latch does not require a front knob. Simply push the cabinet to open and close. This latch may open during violent shaking from an earthquake. It is considered an alternative to drilling through the cabinet door to install a knob as required on the standard latch above.

Kit contains: (1) push-pull latch, screws, and installation instructions.

CL37B - Brown

CL37W - White

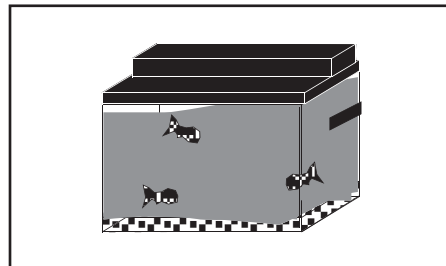


Refrigerator / Appliance Strap Kit

These simple to install straps attach to the sides of the refrigerator with "Quake-Strength" Velcro fasteners, and screw into the wall studs behind it. Quick-release buckles allow access for cleaning behind unit.

Kit contains: (2) adjustable straps, lag screws, and installation instructions.

NTAS2255



Small Appliance Straps

These unique straps are designed for large items such as Microwave Ovens, Coffee/Esspresso Machines, Aquariums, etc. that are placed on a counter. Adhesive-backed swiveling plate attaches to the item and the other end screws into wall.

Kit contains: (2) 6" Velcro™ ends, (2) triangle ends, quick-release buckles, lag screws, alcohol pads, and instructions.

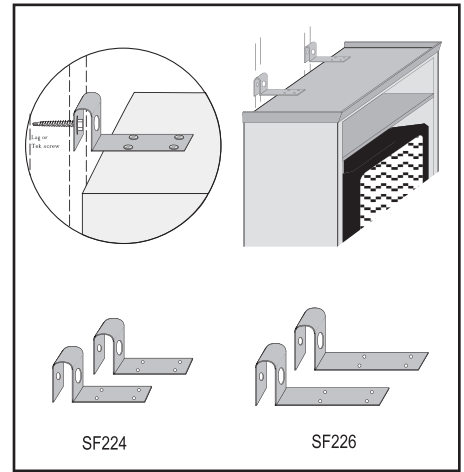
FSV 2118B - Black

FSV 2118S - Silver

FSV 2118W - White

FSV 2118T - Tan

Living Areas



SeismaFlex "Top-Mount" Brackets

These unique brackets are designed to attach at the top of the item with lag screws into wall studs. This size is for items that are within one inch from the wall. A cover-up cap, lag screws, and pan head screws are included.

Kit contains: (2) 2" x 4" top-mount brackets, screws, and installation instructions.

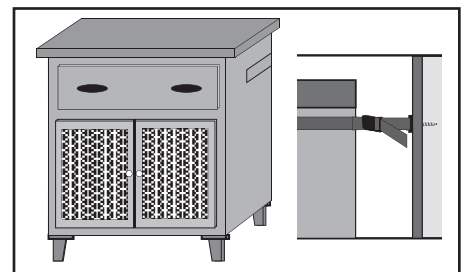
SF224 - Bright Stainless

SeismaFlex "Extended" Brackets

For items such as Entertainment Centers and TV Cabinets that are located up to 3.5" away from the wall (to accommodate cables & electrical outlets).

Kit contains: (2) 2" x 6" extended brackets, screws, and installation instructions.

SF226 - Bright Stainless



Furniture / Appliance Straps

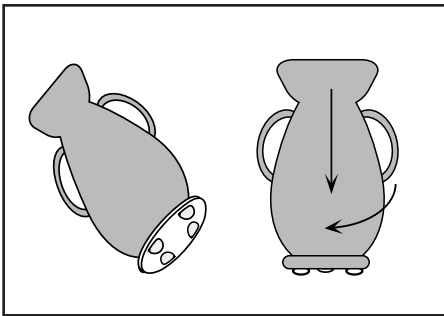
These straps attach to the item with "Quake-Strength" Velcro™ on one end and screw mount to a wall stud behind the unit. They feature a quick-release buckle for quick access.

Kit contains: (2) 1" x 18" straps w/ grommet ends, Cam buckle and triangle end bracket, lag screws and instructions.

FSV2118W - White

FSV2118T - Tan

TV's & Home Electronics

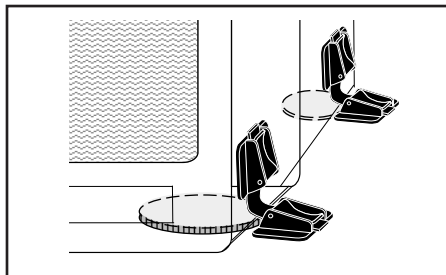


Quake Secure™ - Figurine Putty

High-tack and dough-like consistency is ideal for securing glasswear and figurines to shelves. Putty is non-drying and non-toxic and sticks to all types of plastic, glass, or finished wood surfaces.

Pack contains: (1) 3.68 oz. flat piece of putty, user tips, and instructions.

QSP368 - Putty

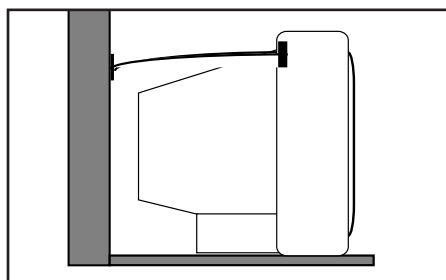


Small TV's, Stereos, Speakers

SeismaLok™ fasteners offer a very versatile way to secure all types of electronic items such as VCR's, stereo equipment, bookshelf speakers, etc. This kit has **QuakeMat™** circles for added protection against sliding motion of stacked items.

Kit contains: (8) buckles, (1) 6' roll of strapping, (4) QuakeMat circles, alcohol pads & instructions.

SLQ8 Black or Putty

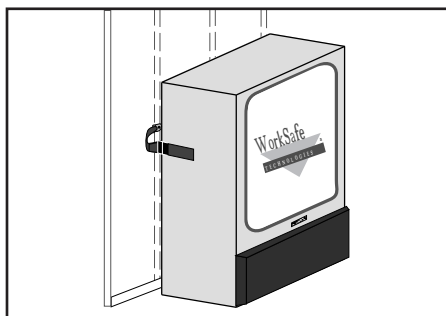


TV Monitor Swivel-Straps™

The ideal way to secure large TV monitors to 32" to the wall, inside an entertainment center, or to a wall or ceiling mount stand. Swivel plates attach w/ adhesive to the TV. The other end screws directly to the wall, shelf, stand, or TV cabinet.

Kit contains: (2) 1" x 24" swivel straps, wood screws, lag screws, alcohol pads & instructions.

TV2124 Black or Putty color

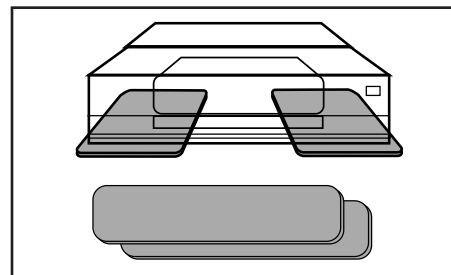


Big Screen Fastening Straps

Our popular appliance strap attaches to the side of a big screen TV with Velcro® and screws into wall studs. Side-release buckles allow easy movement for cleaning & access to cables behind unit.

Kit contains: (2) adjustable straps, lag screws, alcohol pads and installation instructions.

NTAS2255 Black, White or Silver color



QuakeMat™ Soft-Fastening

QuakeMats are the ideal adhesive-free way to secure low-profile items like computer CPU's, printers, etc. The high-friction material grabs the surface and the equipments' feet to resist sliding motion. QuakeMats are the #1 choice of our corporate customers!

QM1012 - (1) 10" x 12" mat

Ideal size for under monitors, hard drives, phones, etc.

QM0416 - (2) 4" x 16" mats

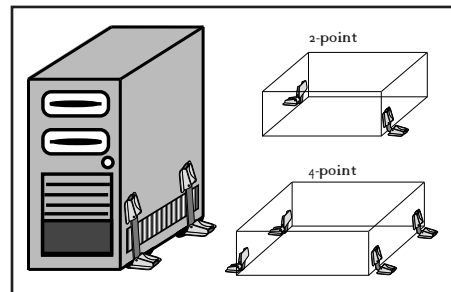
Proper size for CPU's, FAX machines, printers, etc.

QM0518 - (2) 5" x 18" mats

Right size for large CPU's, large laser printers, etc.

QM2416 - Personal Laser Kit

Designed for personal laser printers w/ bottom paper trays. Kit contains: (1) 2' x 16" and (1) 4" x 16" mat.



SeismaLok™ Fasteners

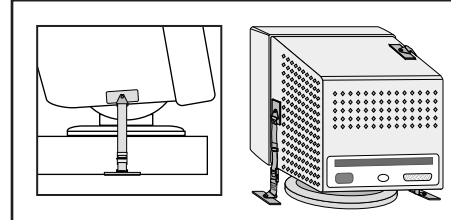
This popular strap and buckle system provides a universal method for securing items such as desktop computers, peripherals, and other electronic equipment. The buckles fasten diagonally in a "2-point" or "4-point" method. Available colors are putty gray or black.

Kits contain: buckles, strap, alcohol pads & instructions.

SL4 - "2-point" Kit

SL8 - "4-point" Kit

Black or Putty color

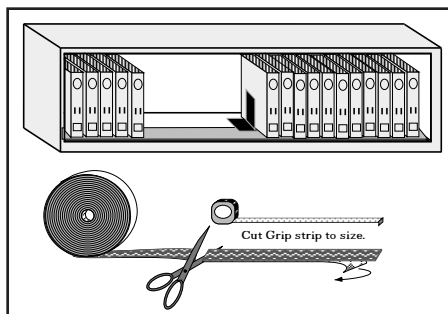


Large Monitor Swivel-Straps™

This heavy-duty strap kit is designed to secure large and heavy graphics style monitors from 17" and up. Adhesive-backed swivel plates attach to the monitor and to the desktop.

Kit contains: (2) 1" x 18" swivel-straps, (4) QuakeMat circles, alcohol pads & instructions.

MSQ2118 Black or Putty color

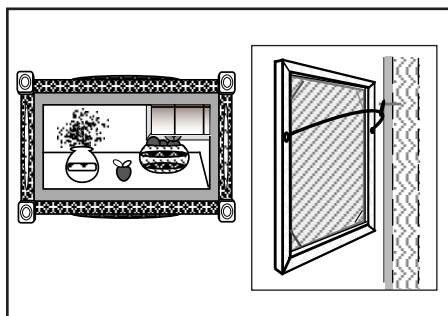


GripStrip™ Shelf Restraint

Truly unique way to keep books and other items from sliding off shelves during seismic activity. Non-adhesive strip rests under books at front edge of shelf. Far more attractive than bungee cords, shelf lips, or unsightly book bars.

Pack contains: (1) 4.5" x 12 foot roll of GripStrip, and instructions.

GS4512FT Gray or Putty color



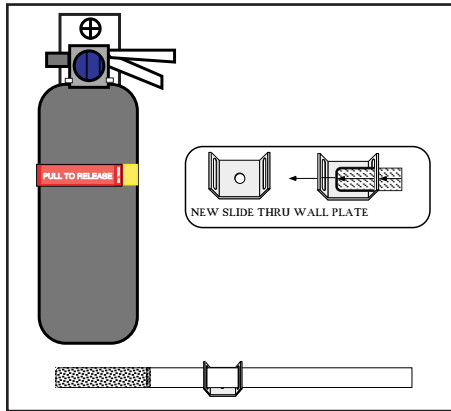
Picture Perfect™ Hangers

Very unique way to hang even heavy pictures and mirrors, while protecting from seismic motion. Easy push-to-install into drywall or nailed into wall studs. Holds up to 100 lbs. each.

Kit contains: (5) Picture Perfect hangers, screws and installation instructions.

PPH05

Garage & Storage Areas

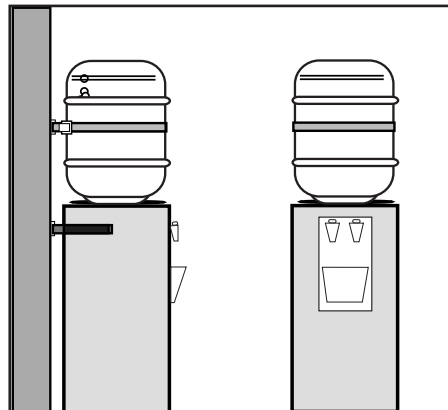


Fire Extinguisher Strap Kit

Strap secures extinguisher to wall preventing it from jumping off mounting bracket and getting damaged. Quick-release Velcro fastener with easy tab allows access to unit when needed. Strap fits all standard extinguishers up to 7" in diameter.

Kit contains: (1) adjustable length strap, mounting bracket, toggler, lag screws, alcohol cleaning pads, and installation instructions.

FXS1126Y - Red / Yellow



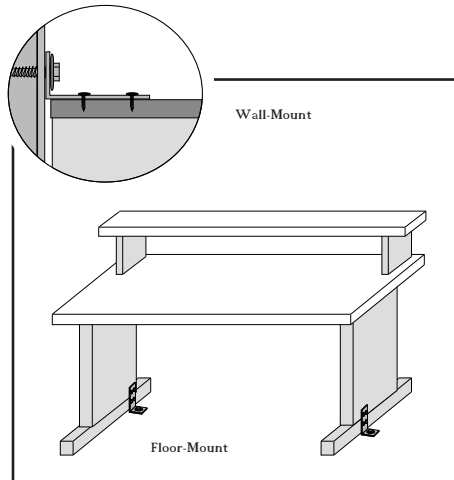
Water Cooler Lasso™

Secures both the bottle and cooler stand to wall. Features a quick-release buckle for changing water bottles. Protects vital water supply!

Kit contains: (2) straps, wall brackets, screws, all hardware and installation instructions.

WC216

Silver or White color



Steel Uni-Brackets

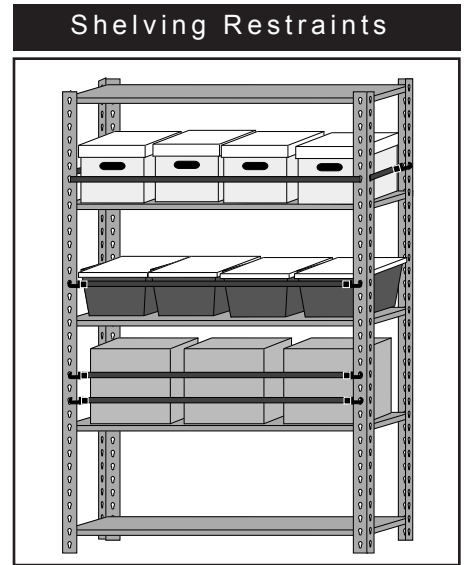
This "L" style bracket is strong enough for securing workbenches, racks, and storage cabinets to a wall stud or anchored to a concrete floor.

The broad shape makes them superior to standard "L" brackets. Kits available for wall mount or with concrete anchors for floor mount.

Kit contains: (2) steel uni-brackets, tek and lag screws, and installation instructions.

Wall-Mount
UBWL223P - Putty
UBWL223S - Stainless

Floor-Mount
UBFK223P - Putty
UBFK223S - Stainless



Storage Rack Straps

These heavy-duty straps are easily screwed or through-bolted to the posts of standard storage shelving. They feature a quick-release buckle on one side for easy access, and adjust to shelf widths of up to 48".

Consider putting small items in tubs or other containers so the rack straps will keep them held back properly.

Straps can hold up to 250 lbs. each.

Kit contains: (1) 1" x 48" adjustable / detachable strap, tek screws & bolts for mounting.

RST1148B - Black

WorkSafe
TECHNOLOGIES™

Oregon/ SW Washington/ Idaho/ Montana

360.892.8818 OFFICE

360.907.6969 CELL

360.892.8819 FAX

Please call our office for current pricing.